

## MotionCage Studio Package 5

MCS-8005

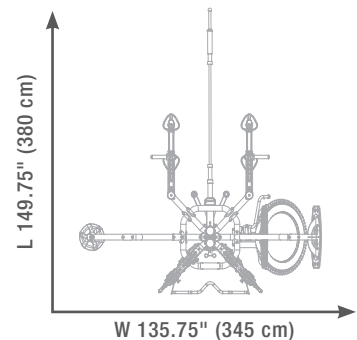


### FEATURES

- Studio Package 1 +  
Dual Hi-Low Station  
Renegade Station  
Rebounder Station  
Target Station  
Heavy Bag Mounting/Heavy Bag  
Squat Rack

### SPECS

- Product Dimensions L x W x H  
149.75" x 135.75" x 122.50"  
(380 cm x 345 cm x 311 cm)
- Product Weight:  
1,193 lbs. (541 kg)
- Weight Stack:  
390 lbs. (177 kg)



HOIST® offers one of the best warranty policies in the industry, reaffirming our commitment to quality and customer satisfaction. HOIST warranties this product to the original purchaser only. HOIST guarantees this product to be free from defects in workmanship and/or materials under normal use or service.

**For complete Warranty Information, visit [www.hoistfitness.com](http://www.hoistfitness.com) and click on the "Support" link.**

Warranty policy applies to defects from the manufacturer only. HOIST reserves the right to change product specifications, design, and function at any time.



GSA Contract # GS-07F-0322K  
Gene Bruton 866.488.6853